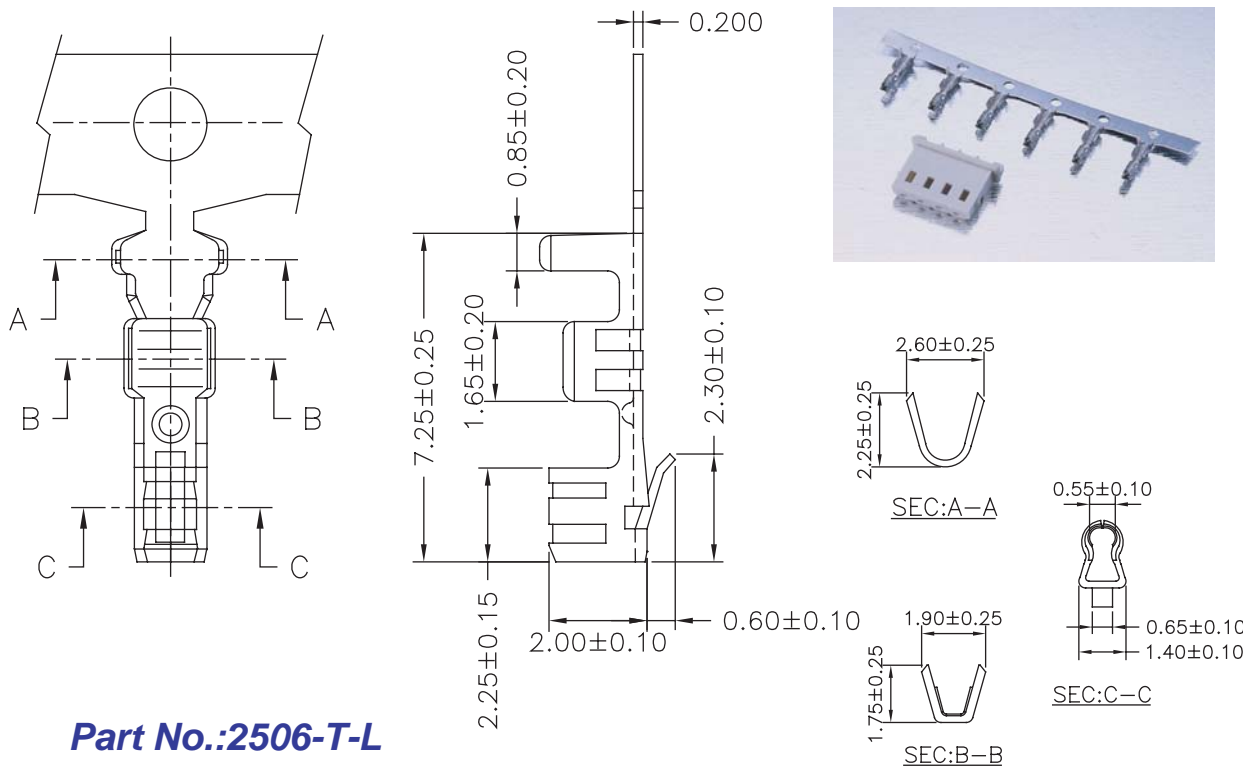


2.5mm TERMINAL / HOUSING



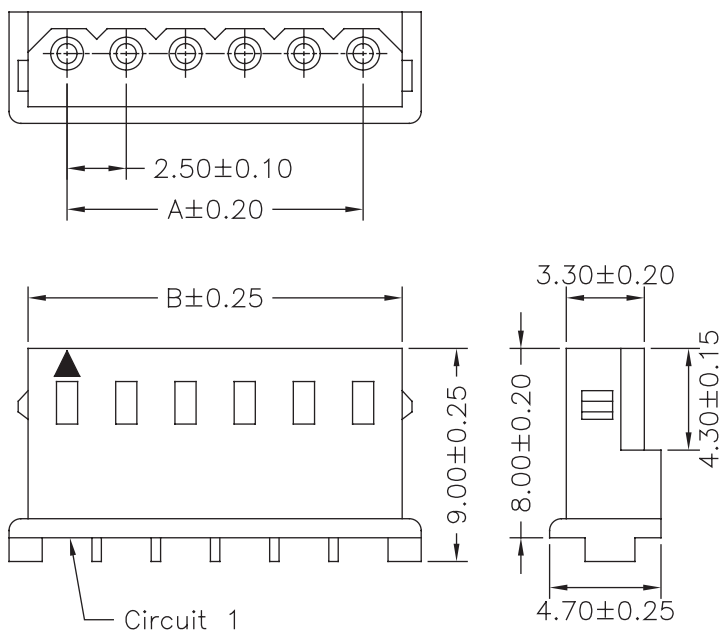
Part No.:2506-T-L

Wire Range	Insulation O.D.	Material	Finish	Qty/reel
AWG#22-#28	1.90mm(max)	Phosphor Bronze	Tin-plated	10,000pcs

SPECIFICATIONS

Current Rating: 3A AC,DC
 Voltage Rating: 250V AC,DC
 Temperature Range: -25°C ~ +85°C
 Contact Resistance: 20mΩ Max
 Insulation Resistance: 1000MΩ Min
 Withstanding Voltage: 1000V AC/minute
 Material: Nylon 66,UL94V-0
 Pantone Color: 7506C

PART NO.	Dimensions	
	A	B
2506H-02W-L	2.50	5.80
2506H-03W-L	5.00	8.30
2506H-04W-L	7.50	10.80
2506H-05W-L	10.00	13.30
2506H-06W-L	12.50	15.80
2506H-07W-L	15.00	18.30
2506H-08W-L	17.50	20.80
2506H-09W-L	20.00	23.30
2506H-10W-L	22.50	25.80
2506H-11W-L	25.00	28.30
2506H-12W-L	27.50	30.80
2506H-13W-L	30.00	33.30
2506H-14W-L	32.50	35.80
2506H-15W-L	35.00	38.30
2506H-16W-L	37.50	40.80



Part No.:2506H-XXW-L